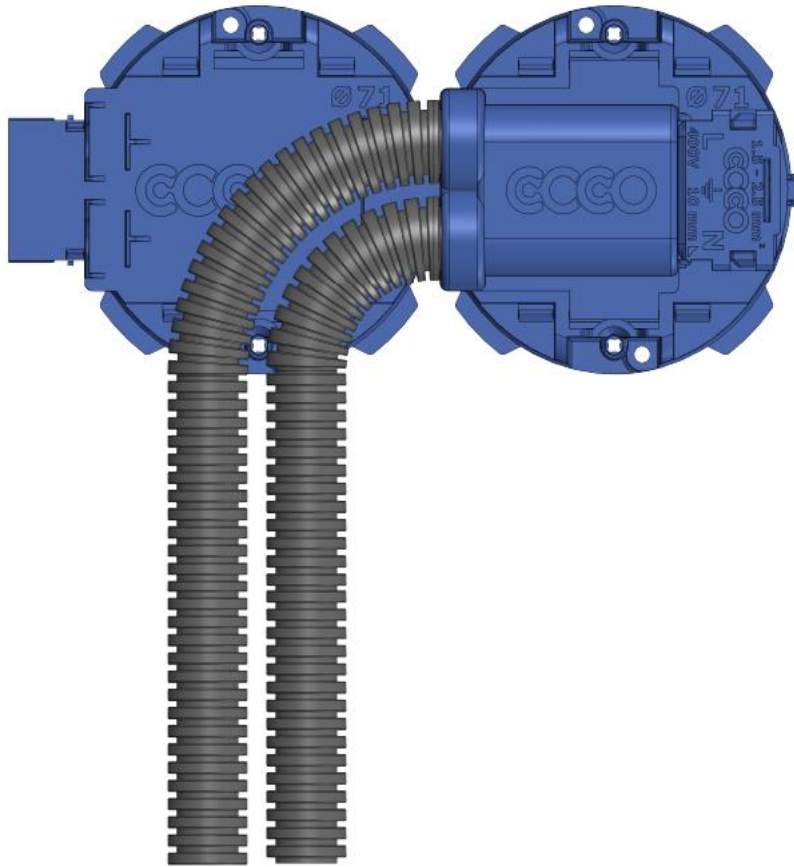


Installation manual

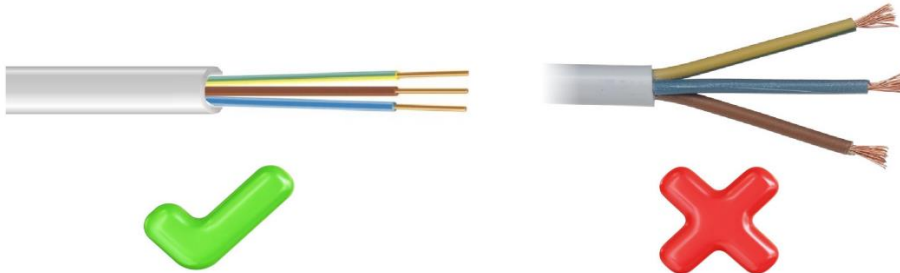
COCO Installation box

- 1) COCO installation boxes have a diameter of 71mm, the openings of the hollow wall of the milling cutter are 73mm, the stone and concrete wall are also 73mm, the cutting depth is at least 75mm. The installation box is fixed using the hollow wall fixing clips located on the sides of the installation box, concrete and stone walls are fixed to the installation box with a mixture or glue.
- 2) If the power cables come out of the floor in stone and concrete walls, mark the locations of the sockets on the wall so that the cables leading up from the floor are in the second, not the first, opening of the installation box, so that the cable adapter connection can be made correctly. *See picture 1.*
- 3) To connect the cable adapter, first make sure that you have turned off the electricity.



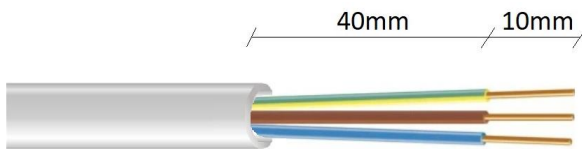
PICTURE 1

- 4) Do not use a fiber cable to connect the cable adapter. *See picture 2*



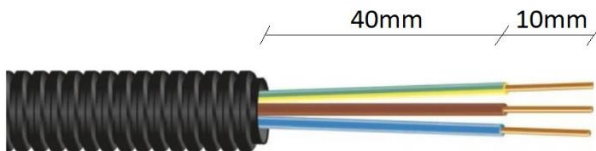
PICTURE 2

- 5) With the COCO cable adapter, you can connect a cable with the thickness of 1.5mm² - 2.5mm². Strip the cable of the insulation max length 50mm and the wires of 5-10mm. *See picture 3*



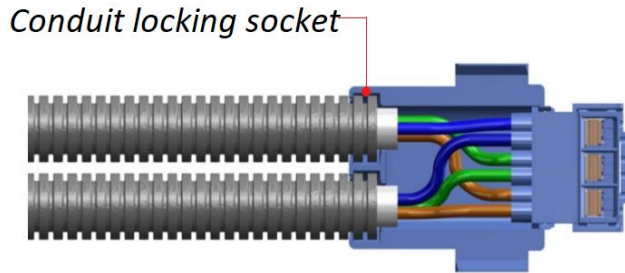
PICTURE 3

- 6) If you connect the cable adapter to a conduit cable, cut off 50mm of the conduit so that the wires remain 50mm long, then strip the wires for 5-10mm. *See picture 4*



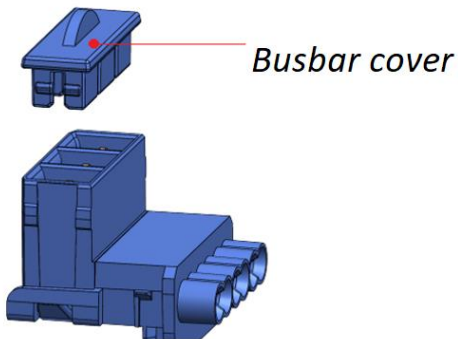
PICTURE 4

- 7) Connect the wires to the cable adapter and attach the cable adapter cover, if you have used a conduit cable, make sure that the conduits are attached to the conduit slots of the adapter cover. *See picture 5*



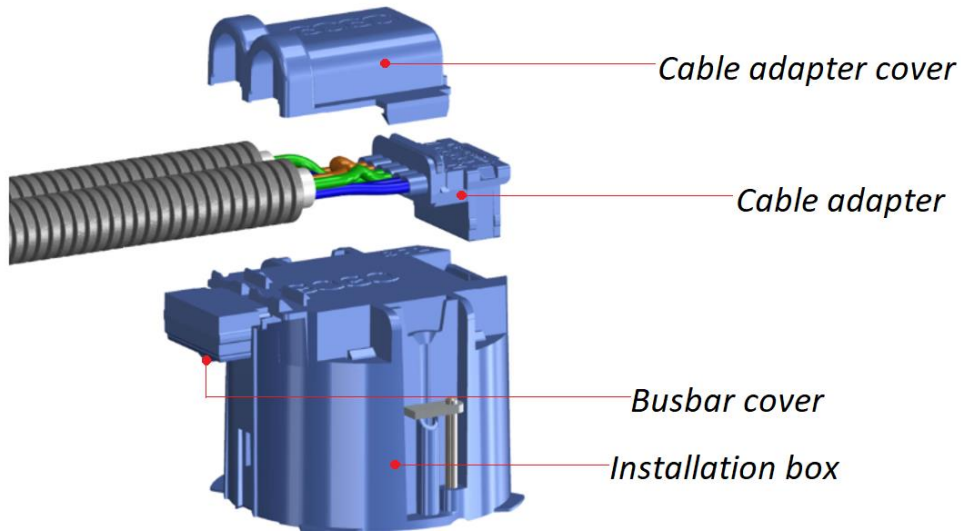
PICTURE 5

- 8) NB! If you only connect the cable adapter and install the installation boxes after finishing the painting work, install the busbar cover on the cable adapter for the time being. *See picture 6*



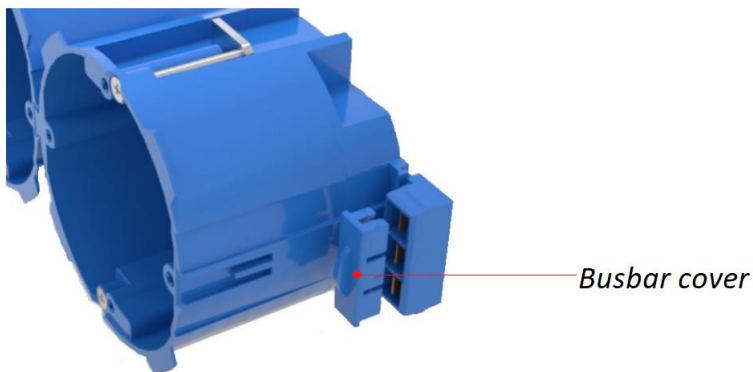
PICTURE 6

- 9) Remove the busbar cover from the cable adapter, connect the cable adapter to the unit, and then install the cable adapter cover to protect the wires. See picture 7



PICTURE 7

- 10) You can connect the COCO installation boxes to each other using the simple clicking-mechanism, always install the busbar cover at the end of the last installation box. Install the installation box(es) on the wall and now you can energize the installation boxes to check that the connections are correct. See picture 8



PICTURE 8

11) Install the COCO socket adapter to the socket, make sure that the adapter is pushed all the way into the wire holes of the socket. See *picture 9*



PICTURE 9

12) Install the sockets in the installation boxes, then install the fixing screws. Do not tighten the screws until you have leveled the sockets in place, then install the plastic covers for the sockets and the job is done.

13) A section of plaster wall with COCO installation boxes.

